



B3-V PERISTALTIC DOSING PUMP

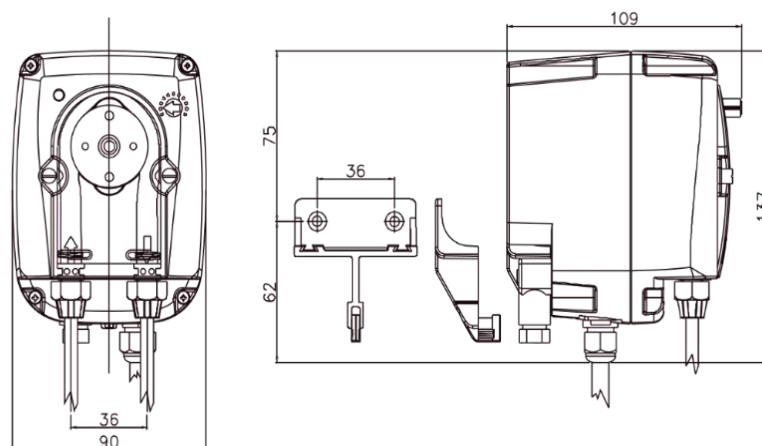
The B series are a range of peristaltic pumps fixed and variable flow rates designed for discontinuous use. Both the B Series and BH Series are perfect for smaller dosing systems that require small amounts of chemical addition in short periods of time.



Technical Features

Flow rate:	Up to 12 l/h
Maximum pressure:	3 Bar
Power supply:	90–260V standard. Available with optional removable power cord
Tubing:	Available in Santoprene, Silicone, Norprene or Tygon
Flow rate adjustment:	10–100%
Level control:	Optional (level probe not supplied)

Dimensions (in mm)



Lasithiou 77, Glyfada Athens, Greece, 16674
Tel: 6947 810 227, 6906 185 915
Email: grakanidis@alliguard.gr
Web site: www.alliguard.gr



ALLIGUARD
Water Treatment Solutions



Accessory Kits

- Standard kit, includes: PVC/FPM Injection Valve
PP/FPM Foot Filter
2m each of PVC Suction and LDPE Discharge Tubing
- Brightener kit, includes: Nickel Plated Brass/FPM Injection Valves
SS Foot Filter
2m each of PVC Suction and LDPE Discharge Tubing
- Detergent kit, includes: PP/EPDM Injection Valve
SS Foot Filter
2m each of PVC Suction and LDPE Discharge Tubing

Models

- 0103 – 1 l/h 3 bar
0403 – 4 l/h 3 bar
1201 – 12 l/h 1 bar

Lasithiou 77, Glyfada Athens, Greece, 16674
Tel: 6947 810 227, 6906 185 915
Email: grakanidis@alliguard.gr
Web site: www.alliguard.gr



ALLIGUARD
Water Treatment Solutions

The information within this document may be subject to change without prior notice

Doc #: **225T01 - 20.0** 2 (2)

Etatron GB Ltd

Etatron GB Ltd, Newlin Business Park, Exchange Road, Lincoln LN6 3AB
Phone: +44 (0)1522 852397
e-mail: sales@etatron.co.uk – web: www.etatron.co.uk